

EGG BOILER

Get perfectly boiled eggs
without any hassle.

KENT
Smart Chef
Appliances
HOUSE of PURITY

Instruction Manual



3 Boiling Modes:
Hard, Medium & Soft

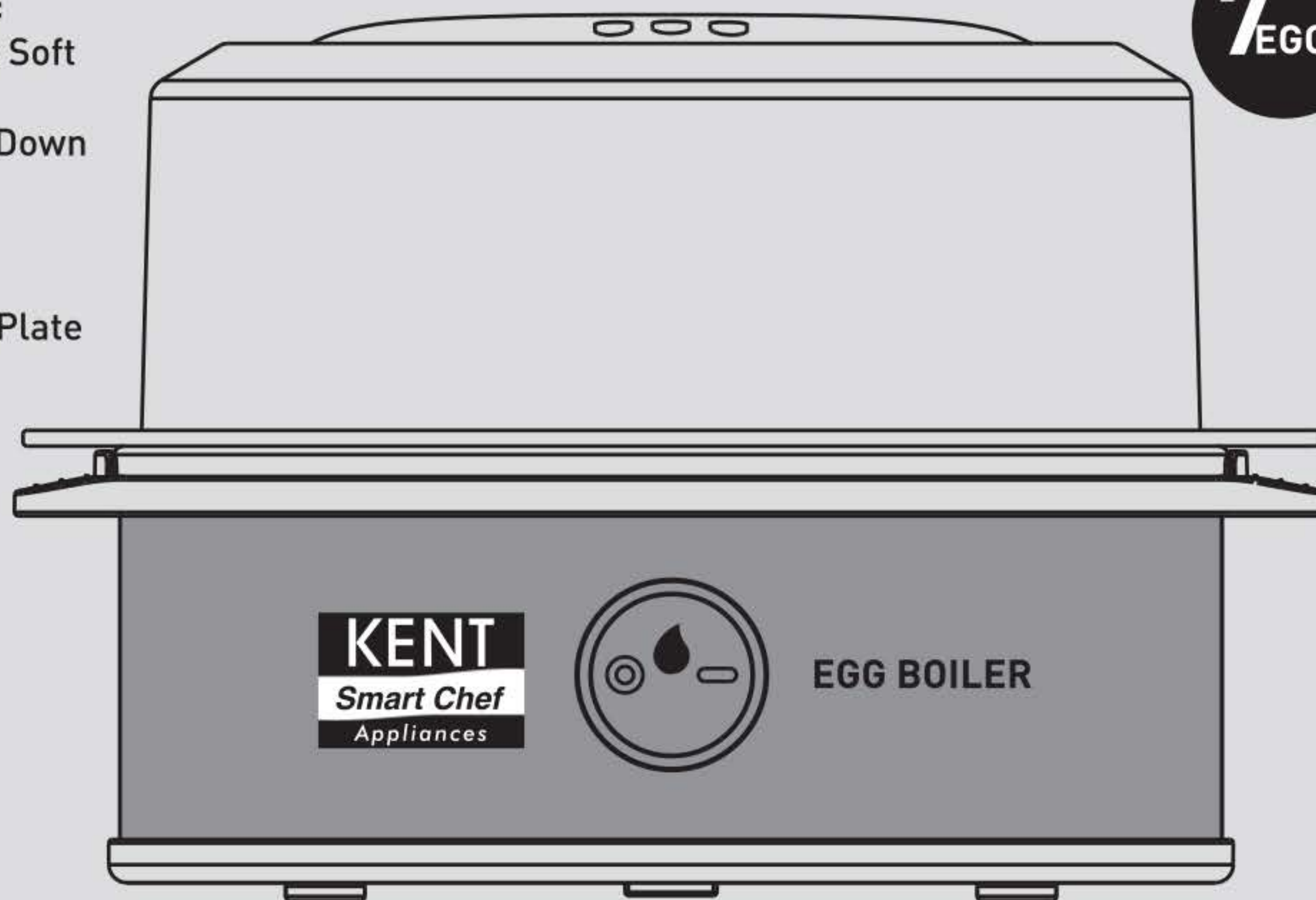


Automatic Shut Down
on Completion



Stainless Steel
Body & Heating Plate

7
EGGS



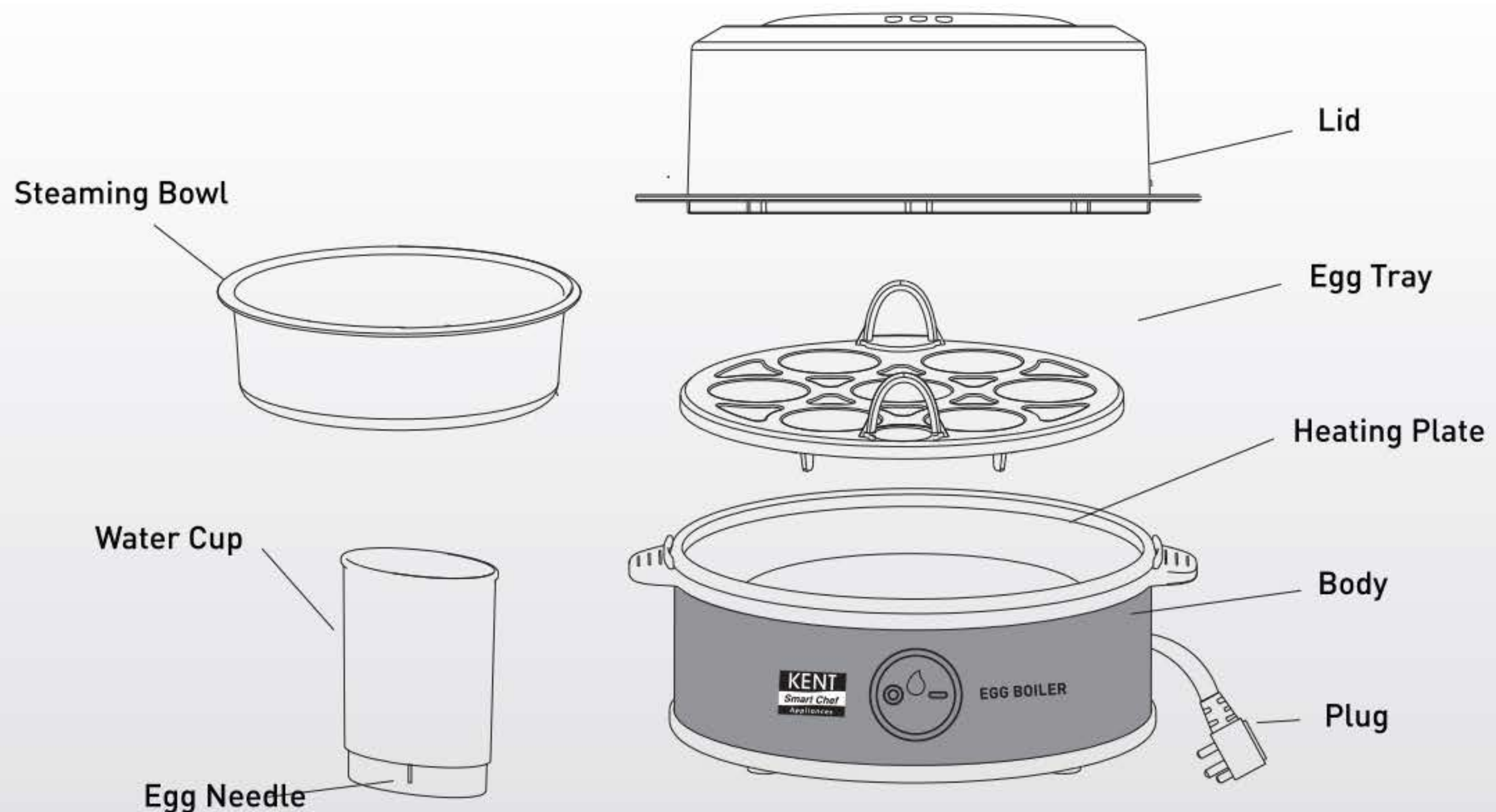
INTRODUCTION

Presenting the all-new KENT Egg Boiler, to fulfill all your nutritional needs. A well designed appliance with flat heating plate for faster boiling of eggs, be it at home, hostel room or hotel room.

FEATURES OF KENT EGG BOILER

1. 3 Boiling modes: hard, medium and soft.
2. Simple operation: just add water, eggs and plug in.
3. Stainless Steel body and heating plate for faster boiling.
4. Easy and quick one-touch operation.
5. Turns off automatically when water dries.
6. Safety features like automatic power-off and overheating protection.

KNOW YOUR PRODUCT



USING KENT EGG BOILER

1. Check the unit for damages. Do not use in case of any damages.
2. Before switching on the appliance, make sure that your home's main voltage corresponds to the operating unit.
3. Clean the parts of the Egg Boiler thoroughly before using the appliance for the first time (see 'Cleaning & Maintenance' section).
4. Make sure that all parts are completely dry before you start using the appliance.

PROCEDURE TO BOIL EGGS

1. Using the measuring cup, add appropriate quantity of water (refer to the table below).

Egg Type	Water Quantity	Time
Soft	20ml	6 mins
Medium	30ml	9 mins
Hard	50ml	12 mins

Note: Increase or decrease the quantity of water as per your boiling preference - hard, medium or soft.

2. Place the eggs on the egg tray and secure the lid.
3. Plug in the appliance and press the power button. The indicator light will switch on.
4. The appliance will turn off automatically once the eggs are done.
5. You may unplug the appliance.

SCALE

No. of Eggs	Hard (Water Quantity)	Medium (Water Quantity)	Soft (Water Quantity)
1	66ml	40 ml	33ml
2	64ml	37 ml	30ml
3	60ml	34 ml	27ml
4	56ml	31 ml	24ml
5	53ml	28ml	21ml
6&7	50ml	25ml	18ml

CLEANING & MAINTENANCE

1. Always unplug the appliance before cleaning it.
2. Wait until the egg boiler has cooled down sufficiently, before cleaning it.
3. To wash, do not immerse the appliance in water.
4. Clean and wipe the appliance after every use.
5. When not in use for a long time, unplug it and store it in a dry ventilated place.


IMPORTANT SAFETY INSTRUCTIONS

1. Please keep the children away when the unit is operating.
2. Avoid injuries by the egg needle.
3. Place the egg boiler on a flat surface.
4. Do not cover the top lid with any cloth or plate which might prevent steam to come out.
5. Do not add the water or pull out the plug when the water on the plate has evaporated.
6. Do not touch the heating plate. Doing so might result in an injury.
7. Make sure the appliance is completely dry before using it.
8. Do not try to service the appliance on your own. Send it to an authorised service center only.
9. To avoid electric shocks, do not use the appliance with wet hands.
10. This appliance is suitable for indoor use only.
11. Do not try to repair or alter the appliance on your own. It may cause appliance failure or breakdown.

TROUBLESHOOTING

PROBLEM	POSSIBLE CAUSE	POSSIBLE SOLUTION
Indicator light does not turn on.	There is a connection problem.	Check if the appliance is connected to the mains and if the plug is inserted firmly into the wall socket.
	The light is defective.	Switch off the appliance and unplug it. Go to the nearest KENT authorised service centre for assistance.
	The switch has not been pressed.	Switch on the appliance.
Eggs are over or under done.	Too much or too little water has added.	Add water in right quantity as indicated in the manual.
The eggs are raw.	The boiling process has not started.	You have failed to press the button. Switch on the appliance.
	The heating element is damaged.	Switch off the appliance and unplug it. Go to the nearest KENT authorised service centre for assistance.

TECHNICAL SPECIFICATIONS

Model Name	KENT EGG BOILER
Model Number	16020
Net Weight	1.65 kg
Body Material	Stainless Steel
Product Dimensions (mm)	115 (L) x 115 (W) x 125 (H)
Maximum Capacity	7 Eggs
Power	360 W
Input Power Supply	Single phase 220 V AC, 50 Hz. 



HOUSE of PURITY



Imported & Marketed by:

KENT RO SYSTEMS LTD.

4-B, Toy City, Ecotech III, Greater Noida (W). U.P.-201306

Ph.: +91-120-2397711

E-mail: sales@kent.co.in | Website: www.kent.co.in.

For customer complaints, contact our Customer Care Officer at:

E-6, 7 & 8, Sector-59, Noida, U.P. -201 309, India. Call: 092-789-12345

E-mail: service@kent.co.in or visit us at www.kent.co.in