

High
Capacity

KENT

Home Softener

Sand Filter

HOUSE of PURITY

KENT SAND FILTER

For Whole House, to be Installed Before Whole House Softener

Instruction Handbook



Welcome to KENT

Dear Customer

Welcome to the world of KENT, leaders of water purification industry in India. With a KENT's product you have all reasons to smile, since at KENT, we take pride in the quality and laboratory-tested performance of our products.

We are confident that your decision to own KENT Sand Filter will go a long way in serving you with sediment free water. We assure you that you will be satisfied with its performance and quality which comes without any compromise.

This manual will familiarize you with the operation of KENT Sand Filter. Before operating the unit, please read it thoroughly and retain it for future reference. To ensure that the warranty of your Sand Filter is effective, it is important that you fill up the enclosed warranty card and mail us the installation report within 15 days of purchase. Should you need further assistance, do not hesitate to contact your nearest KENT dealer or branch.

Best Wishes

KENT RO SYSTEMS LTD.

Contents

1. Introduction	1
2. Items in the Box	1
3. Stage of Filtration	1
4. Exploded View of KENT Sand Filter	2
5. Installation Location	3
6. Installation Procedure	3
7. Operation	4
8. Troubleshooting	5
9. Technical Specifications	5

Introduction

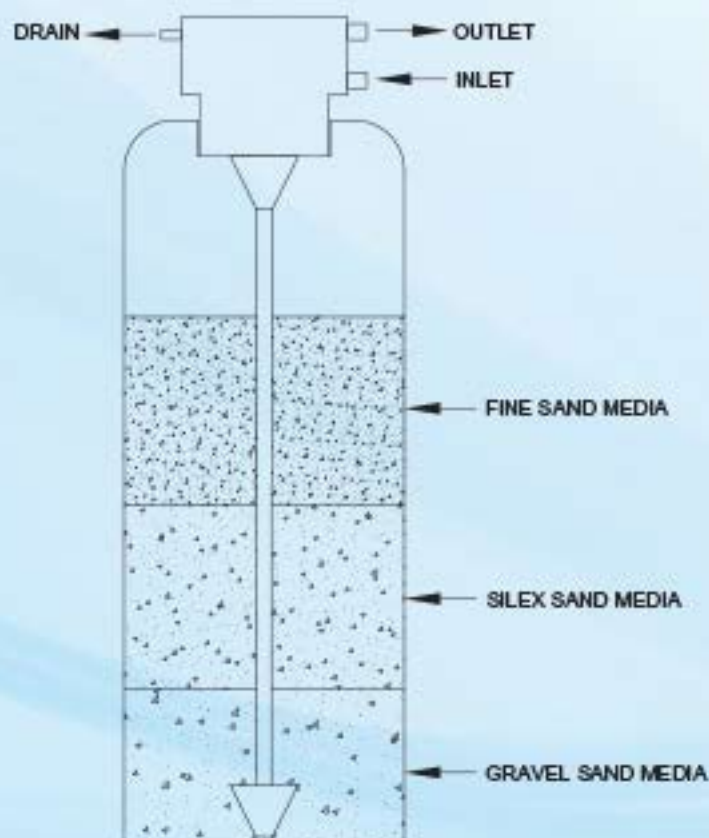
Presenting the all-new KENT Sand Filter, to liberate you from the problems of water full of sand and provide your family with clean water. The SAND FILTER removes visible dirt or suspended matter (turbidity), and sand particles from water. KENT Sand Filter use no electricity to filter sand and provides you clean sand-free water. The KENT Sand Filter would provide you and your family with advantages outlined below.

- High Capacity
- Elegant Design
- High-quality Media for Longer Life
- Non-electric Process
- Low Maintenance Cost
- Easy to Install and Use

Items in the box

- | | | | |
|---------------------------------|----------|----------------------------|----------|
| 1. KENT Sand Filter | : 1 No. | 6. Secure Big Clip | : 2 Nos. |
| 2. 1 Inch Quick Connect Adaptor | : 2 Nos. | 7. Drain Flow Control Bush | : 8 Nos. |
| 3. Inlet & Outlet Base | : 1 No. | 8. Jelly Pouch | : 1 No. |
| 4. Drain Hose Fitting | : 1 No. | 9. Bolt M4x12 | : 2 Nos. |
| 5. Adaptor Clip | : 2 Nos. | 10. User Guide | : 1 No. |

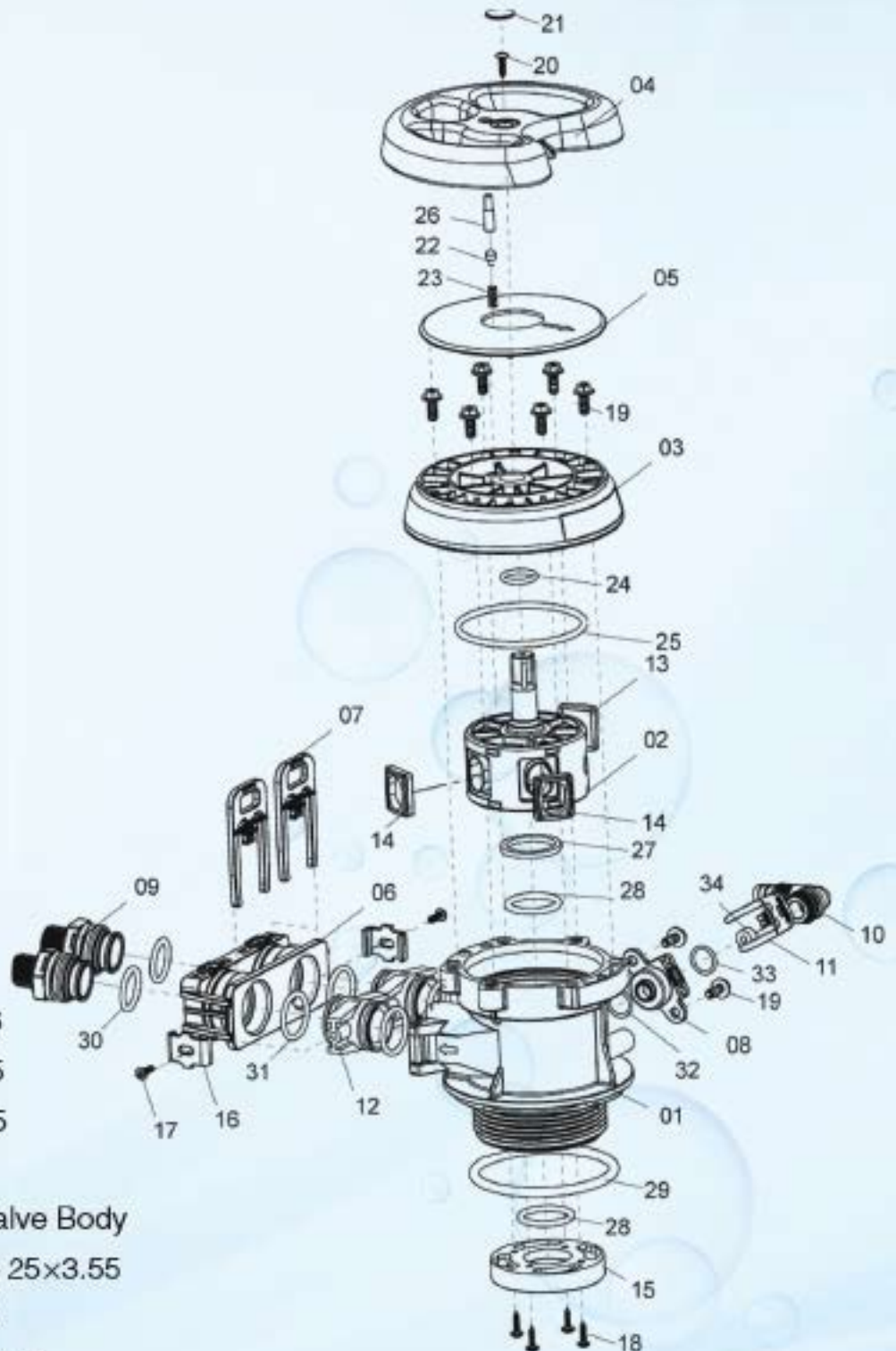
Stage of filtration



Exploded View of KENT Sand Filter

No. Description

- 01 Valve Body
- 02 Main Rotate Axis
- 03 Upper Seal Plate
- 04 Handle Bar
- 05 Indicate Plate
- 06 Inlet & Outlet Base
- 07 Secure Big Clip
- 08 Drain Base
- 09 Fittings BSP 3/4"
- 10 Drain Hose Fitting
- 11 Secure Small Clip
- 12 Adaptor Coupling
- 13 Drain Line Seal- 14 Outlet Seal
- 15 Bracket
- 16 Adaptor Clip
- 17 Bolt M4×12
- 18 Screw 2.9×13
- 19 Bolt M5×12
- 20 Screw ST3.5×12
- 21 Brand Label
- 22 Stop Pin
- 23 Spring $\varnothing 4 \times \varnothing 0.5 \times 16$
- 24 O Ring Seal 16×2.65
- 25 O Ring Seal 65×3.55
- 26 Service Pin
- 27 O Ring Holder for Valve Body
- 28 O Ring Seal (EPDM) 25×3.55
- 29 O Ring Seal 73×5.3
- 30 O Ring Seal 22.4×3.55
- 31 O Ring Seal 15(23×3)
- 32 O Ring Seal (11×2)
- 33 O Ring Seal (12×2)
- 34 DLFC 2#



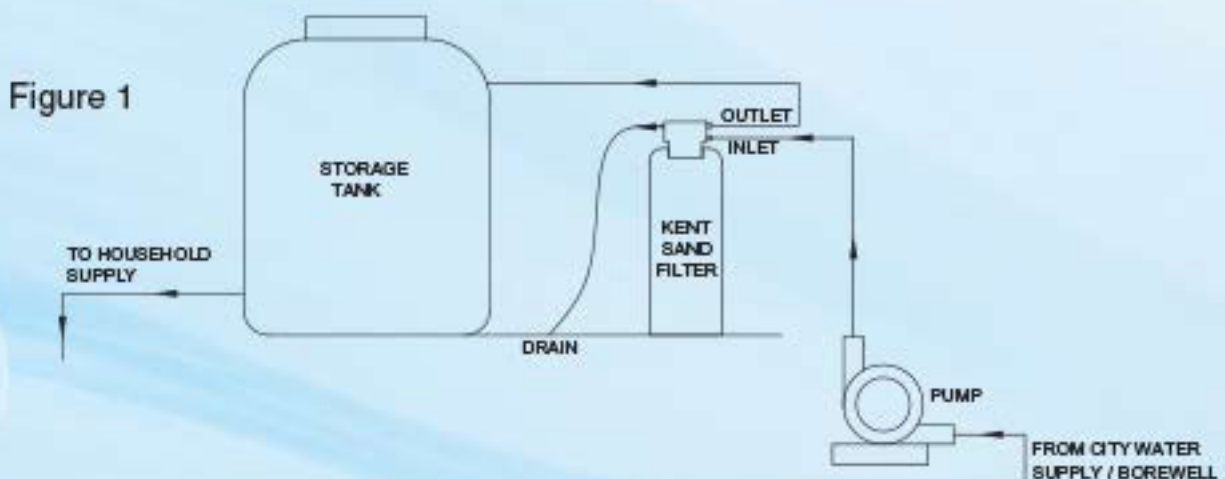
Installation Location

- To condition the complete water supply at home, install the KENT Sand Filter close to main water supply outlet
- A nearby drain is required to carry away regeneration discharge (drain) water. Use a floor drain, laundry tub, sump, standpipe or any other option
- The location chosen for the installation must have enough space for the system, its accessories, and connections and to carry out a proper maintenance
- The system should not be installed next to a heat source or where it receives a direct flow of hot air
- Avoid external dips from pipes, drains etc. onto the system

Installation Procedure

KENT Sand Filter installation must be done according to the following schemes and in accordance with the local laws. Follow assembly and installation indications given in the manual. Contact KENT technical service for any support.

- Close main water supply
- Move the KENT Sand Filter to the installation position
- Connect the output of water supply pump to input of KENT Sand Filter
- Now connect output of KENT Sand Filter to input of water storage tank/ water softener
- Connect the one end of 1/2" flexible pipe with drain connector & leave the other end in drain
- The installation of KENT Sand Filter is complete
- The KENT Sand Filter is ready for use



Operation

For day-to-day usage, keep the valve handle in filtering position as shown in figure 1.

Regeneration:

Regeneration Process

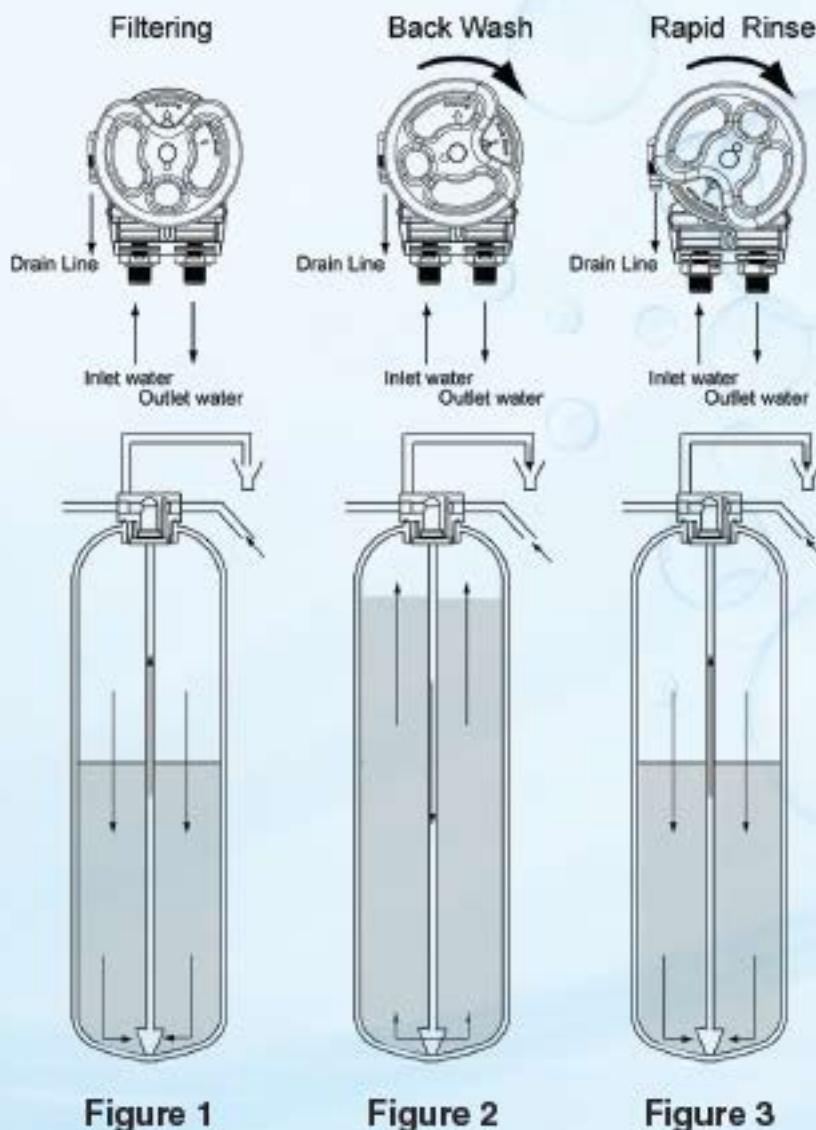
Based on the large suspended particles concentration of water, periodic regeneration is required for optimal usage.

To Backwash / Rinse

Backwash is essential to ensure that the filter is working properly. To start backwash, turn the handle bar along the arrow direction shown below, similarly we can switch the filter into back wash status, rapid rinse status & then back to filtering status.

Operation Illustration:

Back Wash is essential to ensure the filter machine is working properly. After filter machine service for a period, it's better to switch the control valve to wash status. Turn the Handle Bar along the arrow direction shown below, similarly we can switch the filter machine to Back Wash status, Rapid Rinse status and then back to Filtering status, as shown in Figure 2, 3, and 1 respectively.



Note:

We recommend that each time you run 5-15 minutes backwash, 3-5 minutes rinse function to regenerate the filter media. One time backwash & rinse wash means one regeneration cycle. Under normal condition, it is also recommended to perform regeneration cycle two or more times every week.

Troubleshooting

Problem	Possible Causes	Possible Solution
<ul style="list-style-type: none"> Concentration of large suspended particles in water are high 	<ul style="list-style-type: none"> Regeneration not done. 	<ul style="list-style-type: none"> Carry out the Regeneration
	<ul style="list-style-type: none"> Regeneration not done properly for the prescribed time 	<ul style="list-style-type: none"> Carry out the Regeneration for the stipulated time as mentioned in manual

Technical Specifications

Product	:	KENT Sand Filter
Product Code	:	11091
Product Colour	:	Blue
Product Generick Name	:	Sand Filter
Application	:	Suitable for Purification of Tap water/Municipal Corporation water
Mounting	:	Floor Standing
Product Dimensions (mm)	:	232 (L) X 232 (W) X 1005 (H)
Maximum Flow Rate	:	3000 L/hr.
Net Weight	:	35.5 kg
Inlet water Pressure/Temp. (Min.)	:	1.0kg/cm ² /1°C
Inlet water Pressure/Temp. (Max.)	:	10.7kg/cm ² /50°C
Filter Media weight	:	30 kg

KENT

Home Softener

Sand Filter

HOUSE of PURITY



Marketed by:

KENT RO SYSTEMS LTD.

E-6, 7 & 8, Sector-59, Noida, U.P.-201 309, India.

E-mail: sales@kent.co.in or visit us at www.kent.co.in

Manufactured by:

KENT RO SYSTEMS LTD.

1) Khasra No. 93, Village-Bantakhedi, Tehsil-Roorkee,
District-Haridwar, Uttarakhand-247 668, India.

2) A-6, Sector-87, Noida-201 305, U.P., India.

For customer complaints contact our Customer Care Officer at:

E-6, 7 & 8, Sector-59, Noida, UP-201 309, India. Call: 92-789-12345

E-mail: service@kent.co.in or Visit us at www.kent.co.in