

KENT WET & DRY RECHARGEABLE VACUUM CLEANER

Sucks in Liquid and Dust from Any Surface

KENT
Cyclonic
Vacuum Cleaners
HOUSE of PURITY

Instruction Manual

Sucks in Liquid Spills from Wet Surface



Sucks in Dust Particles from Dry Surface



June 2019

KENT
Cyclonic
Vacuum Cleaners
HOUSE of PURITY



Imported & Marketed by:
KENT RO SYSTEMS LTD.
A-6, Sector-87, Noida-201 305, U.P., India.

For customer complaints,
contact our Customer Care Officer at:
E-6, 7 & 8, Sector-59, Noida, U.P.-201 309, India.
Call: 92-789-12345
E-mail: service@kent.co.in or visit us at www.kent.co.in

New Age Vacuum Cleaners
**Pure Cleaning
Healthy Living**



CYCLONIC Technology
Cleans with lower dust discharge
using HEPA filter



Welcome to KENT

Dear Customer,

Congratulations on your purchase and welcome to **KENT!**

At the outset, allow us to thank you for your trust in KENT Wet & Dry Rechargeable Vacuum Cleaner. At KENT, we take pride in our reputation for quality products and industry proven performance. We are certain that you will be more than satisfied with the performance and that it will serve you and your family's needs without any compromise.

This guide will help you in getting the best out of your appliance. Please go through the booklet to familiarize yourself with its operation and maintenance.

With the robust build and high quality, you can look forward to years of trouble-free service.

To ensure that the warranty of your appliance is effective, it is important that you fill up the enclosed warranty card and mail it to us within 15 days of purchase.

In case you require any further information, please contact your nearest KENT dealer or branch.

Happy Cleaning!

KENT RO Systems Ltd.

TABLE OF CONTENTS

1. Introduction	1
2. Features of KENT Wet & Dry Rechargeable Vacuum Cleaner	1
3. Know Your Product	2
4. Items in the Box	2
5. Instructions	3
6. How to Operate	3
7. Troubleshooting	4
8. Technical Specifications.....	4

INTRODUCTION

We, at KENT have always believed that a clean and healthy life is the right of every individual. This ethos made us embark on the journey to develop innovative solutions for purifying water, fruits & vegetables and air. With the use of innovative technology and supported by a competent service network, we have been able to create a brand, which has become synonymous with well-being and health.

Continuing with the tradition, we now present the KENT Wet & Dry Rechargeable Vacuum Cleaner, with state-of-the-art technology & feature to pick wet spills and dry dirt to provide clean, dust-free and spotless surroundings.

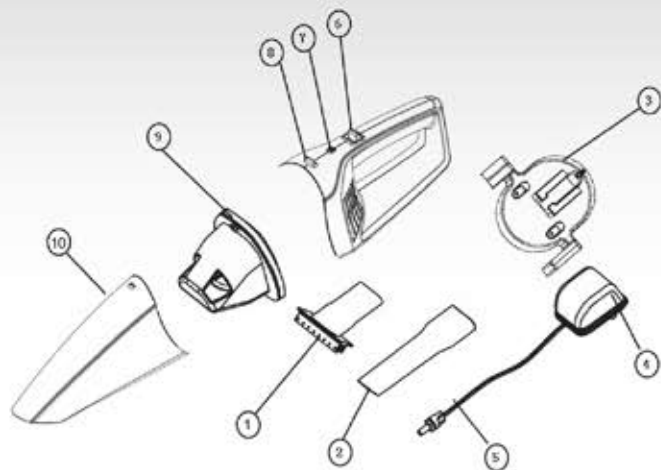
It comes with a two nozzles (Crevice & Wet Suction) for easy and hassle free cleaning. KENT Wet & Dry Rechargeable Vacuum Cleaner, do not use filtration bags, unlike traditional vacuum cleaners available in the market. The dust and wet spills is collected in the dust container for easy disposal of waste.

It is a handy & convenient vacuum cleaner that eliminates dust and wet spills efficiently even from the taper corners and narrow spaces.

FEATURES OF KENT WET & DRY RECHARGEABLE VACUUM CLEANER

- Ergonomically designed for ease of handling and convenience
- Effective for both wet & dry surface cleaning
- Cordless design to avoid tangled wires
- Rechargeable battery for increased portability
- Bag-less design for mess-free cleaning
- 2000 mAh high battery capacity
- Charger with Wall-mounting option

KNOW YOUR PRODUCT



- | | |
|-----------------------|--------------------------------------|
| 1. Wet Suction Nozzle | 6. On/Off Switch |
| 2. Crevice Nozzle | 7. Charge Indicator Lamp (Red/Green) |
| 3. Wall Holder | 8. Unlocking Button |
| 4. Power Adapter | 9. Dust Filter |
| 5. Barrel Plug | 10. Dirt Container |

ITEMS IN THE BOX

- | | |
|--|---------|
| 1. KENT Wet & Dry Rechargeable Vacuum Cleaner: | 1 No. |
| 2. Crevice Nozzle | : 1 No. |
| 3. Wet Suction Nozzle | : 1 No. |
| 4. Charger | : 1 No. |
| 5. User Manual | : 1 No. |

INSTRUCTIONS

Always unplug from electrical outlet before opening the dust container.

1. To open the dust container, press the unlocking button and gently remove the front head.
2. Remove the dust sponge filter, empty the dust container and rinse the sponge filter in cold water and then air dry it, once completely dry put it back into the dust container and lock the front head.
Note: Do not dry it with hot air.
3. You can attach Wet Suction Nozzle/Crevice Nozzle to wet and dry rechargeable vacuum cleaner by simply connecting it to the suction nozzle of the unit.

Note: Make sure that the dust filter is always inserted before using the appliance.

HOW TO OPERATE

1. Hold the Wet & Dry Rechargeable Vacuum Cleaner firmly from the handle.
2. Slide the On/Off button to "On" position, green LED indicator will glow.
3. Start Vacuuming.
4. Once you are done with the cleaning, slide the On/Off button back to the "Off" position.
5. The suction opening should always be open and unblocked. Blockages lead to overheating and damages the motor.
6. When in use, the LED indicator lamp glows GREEN. When power is low, it blinks GREEN. When there is no power, it blinks rapidly for 3 seconds and then turns off.
7. Check to ensure that the On/Off switch is slid back to its position after this.

Caution: Do not block the flow of air. Blocking suction or allowing the dust to clog the dust filter will decrease the working efficiency of this unit.

Note: Make sure that the dust filter is always inserted before using the appliance.

Warranty Card

Product: KENT Wet & Dry Rechargeable Vacuum Cleaner

Product Code: 16057

Serial No.:..... **Dealer Stamp**

CUSTOMER DETAILS:

Customer's Name:

Customer's Address:

Customer Phone No.:

WARRANTY DETAILS:

Invoice Date: Invoice No.:



Imported and Marketed by:

KENT RO SYSTEMS LTD.

A-6, Sector-87, Noida-201 305, U.P., India.

E-mail: service@kent.co.in | Website: www.kent.co.in

Customer Care: 92-789-12345

TERMS & CONDITIONS OF WARRANTY

KENT warrants all new products manufactured by it to be free from defects in material and workmanship under normal usage and service from the date of purchase as under:

- The Warranty period commences from the date of purchase by the first end-user. During this Warranty period of one year, KENT or its Authorized Service Provider (ASP) will replace or repair any part of KENT Wet & Dry Rechargeable Vacuum Cleaner, that in the opinion of KENT or its ASP, would be defective in operation due to faulty material or workmanship [i.e. manufacturing defects] with the exception of consumables such as Filters.
- The product's plastic/glass body is not covered under Warranty and hence, it must be handled with care to guard against breakage.
- The original purchaser of the unit can avail services under Warranty at the point of sale, by producing the damaged part(s) along with the original invoice.
- This Warranty is void if the unit is not operated under normal conditions or according to the instructions given in the manual.
- Product returned to KENT or its ASP for Warranty examination must be shipped freight prepaid.
- KENT or its ASP shall not be held liable for claims exceeding the cost of repair of the defects in workmanship.
- This Warranty Agreement shall not be interpreted to render KENT or its ASP liable for injuries or damages of any kind - direct, consequential or contingent to persons or property.
- KENT or its ASP shall not be held responsible by representative or buyer for failure to abide by any of the obligations of this Warranty Agreement if such failures are the result of circumstances of Forces Majeures: such as, but not limited to, floods, earthquakes, transportation strikes, labour disputes with outside suppliers or any other conditions beyond the control of KENT or its ASP.
- KENT or its ASP shall not be held liable for repair or alterations made without prior written approval; for products failures resulting from the lack of proper maintenance.
- This Warranty Agreement excludes all products/component parts or damage to any part of this Vacuum Cleaner which, in the opinion of KENT or its ASP, have been subjected to misuse; misapplication; negligence; alteration; accident or operation contrary to our instructions, incompatibility with accessories not installed by KENT or its ASP, or that have been repaired with component parts other than those manufactured by or obtained from KENT or its ASP. Damage caused by freezing, flood, fire or Act of God is not covered by this Warranty. In all such cases regular charges will apply. This limited Warranty does not include service to diagnose a claimed malfunction in this unit.
- KENT reserves the right to alter or improve design and specifications at any time, without any contingent obligations to prospective buyers or owners of the products previously sold.
- Any disagreements and obligations based upon the purchase of KENT products and thereby imposed on KENT or its ASP shall be governed by and construed according to the laws of INDIA and subject to the jurisdiction of Delhi Courts only.
- KENT or its ASP assumes no Warranty liability in connection with this Vacuum Cleaner other than that specified herein. This Warranty is in lieu of all other warranties, expressed or implied, including warranties of fitness for a particular purpose. KENT or its ASP does not authorize any person or representative to assume for them any other obligations on the sale of this Vacuum Cleaner.
- Under no circumstances, the liability of KENT or its ASP shall exceed the value of the product.
- Under no circumstances are the terms mentioned above negotiable and no employee of KENT or its ASP has the authority to supersede them.

TROUBLESHOOTING

PROBLEM	POSSIBLE CAUSE	POSSIBLE SOLUTIONS
Vacuum cleaner will not operate	<ol style="list-style-type: none"> Device is not charged Needs to be cleaned or serviced. 	<ol style="list-style-type: none"> Charge the unit completely. Clean filter or call a qualified appliance repair person. Empty the collection container. Turn unit off. Remove filter and check for objects that could be blocking air duct.
Vacuum cleaner will not pick up wet spills and dry dirt	<ol style="list-style-type: none"> Filter is full. Unit is clogged. Collection container needs to be emptied. 	
Vacuum cleaner suction power is weak	<ol style="list-style-type: none"> Filter is full. Unit is clogged. Collection container needs to be emptied. 	
Dust escaping from the vacuum cleaner	<ol style="list-style-type: none"> Filter is full. Filter is not installed correctly. Filter has a puncture hole. Filter is blocked. 	<ol style="list-style-type: none"> Empty collection container. Review filter instructions and replace correctly.
Vacuum cleaner crevice nozzle or wet suction nozzle will not pick up wet spills and dry dirt	<ol style="list-style-type: none"> Nozzle is clogged. Container is full. 	<ol style="list-style-type: none"> Remove nozzle and remove obstructions from nozzle. Empty and clean container. Make sure crevice nozzle or wet suction nozzle is properly installed.

TECHNICAL SPECIFICATIONS

Product	KENT Wet & Dry Rechargeable Vacuum Cleaner
Product Code	16057
Net Quantity	1 U
Gross Weight	1.1 kg
Net Weight	0.88 kg
Input Power Supply	7.4 V DC
Maximum Vacuum Pressure	>=2.3 kPa
Power Consumption	45 W
Battery Capacity	2000mAh