

KENT COFFEE BEAN GRINDER

PRECISION GRINDING WITH EXCEPTIONAL FLAVOUR

KENT
Smart Chef
Appliances

HOUSE of PURITY

Instruction Manual



**BURR GRINDING
SYSTEM MAINTAINS
FLAVOUR & AROMA**



30 VARIABLE TEXTURES



**CHOICE OF
2 TO 14 CUPS OF FRESH
GROUNDED COFFEE**

KENT
Smart Chef
Appliances

HOUSE of PURITY

Imported & Marketed by:
KENT RO SYSTEMS LTD.
E-6, Sector-59, Noida, U.P.-201 309, India.

For customer complaints, contact our Customer Care Officer at:
E-6, Sector-59, Noida, U.P.-201 309, India. Call: 92-789-12345
E-mail: service@kent.co.in or visit us at www.kent.co.in

Made in People's Republic of China



Welcome to KENT

Dear Customer,

Congratulations on your purchase and welcome to **KENT**!

At the outset, allow us to thank you for your trust in KENT Smart Chef Appliances.

At KENT, we take pride in our reputation for quality products and industry proven performance. We are certain that you will be more than satisfied with **KENT Coffee Bean Grinder** and that it will serve you and your family's needs without any compromise.

This guide will help you in getting the best out of your appliance. Please go through the booklet to familiarize yourself with the operation and the maintenance of the product. With its robust and high quality build, you can look forward to years of trouble-free service.

To ensure that the warranty of your appliance is effective, it is important that you fill the enclosed warranty card and mail it to us within 15 days of purchase.

In case you require any further information, please contact your nearest KENT dealer or branch.

Bon Appétit!

KENT RO Systems Ltd.

TABLE OF CONTENTS

1. Introduction	1
2. Features of KENT Coffee Bean Grinder	1
3. Know Your Product	2
4. Items in the Box	2
5. Using KENT Coffee Bean Grinder	3
6. Grinding Tips	5
7. Maintenance	5
8. Technical Specifications	8

INTRODUCTION

We, at KENT, have always believed that a clean and healthy life is the right of every individual. This ethos is what made us embark on the journey to develop innovative solutions for purifying the water that we drink, the vegetables and fruits that we eat, the homes we live in, and the air that we breathe and much more.

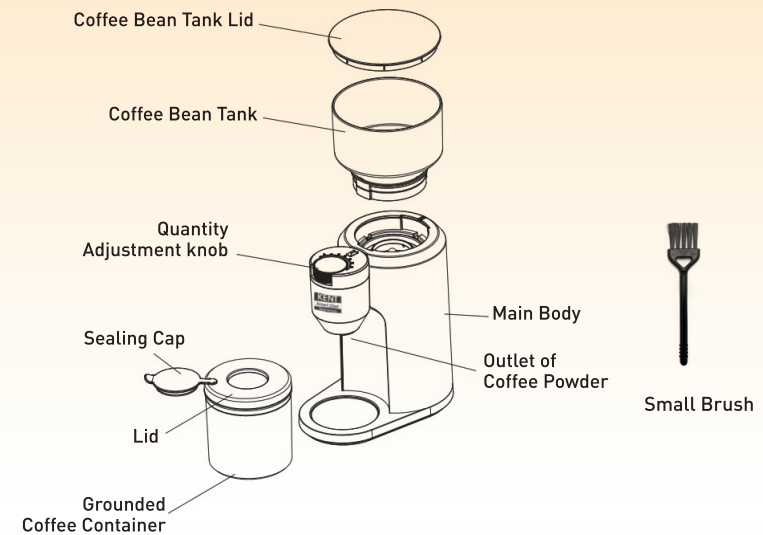
Use of innovative technology and support from a competent service network have enabled us to create a brand that has become synonymous with well-being and health. Continuing with this tradition, we now present the KENT Coffee Bean Grinder that allows you to prepare your favourite coffee beverages in a healthy, fast, and easy way.

The KENT Coffee Bean Grinder uses Burr Grinding System that keeps the delightful aroma and robust taste of the coffee beans intact. With precision settings from ultra-fine for espresso to coarse for french press, the KENT Coffee Bean Grinder ensures every brew is a flavorful masterpiece, ensuring a rich and flavourful cup every time. You can now make beverages like espresso, cappuccino, and latte in a more convenient way.

FEATURES OF KENT COFFEE BEAN GRINDER

1. KENT Coffee Bean Grinder comes with burr grinding system which maintains flavour and aroma
2. 30 grinding settings to meet different coffee needs
3. Quantity adjustment knob for 2 to 14 cups of fresh grounded coffee
4. Powerful 500 RPM motor for easy grinding
5. Anti-static design for mess-free grinding
6. Coffee bean tank and grounded coffee container with the capacity of 200 g and of 230 g respectively.

KNOW YOUR PRODUCT



ITEM IN THE BOX

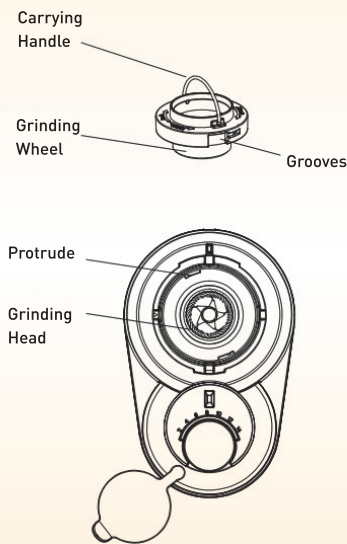
1. KENT Coffee Bean Grinder : 1 N
2. Grounded Coffee Container : 1 N
3. Small Brush : 1 N
4. User manual : 1 N

USING KENT COFFEE BEAN GRINDER

Before the first usage

Before using the KENT Coffee Bean Grinder for the first time, wipe the housing and coffee bean tank with a clean damp cloth. Wash the grounded coffee container and its cover with hot soapy water, then rinse and dry.

1. Put the KENT Coffee Bean Grinder on a flat surface.



2. Align the protruding position of the coffee bean tank with the groove on the main body, and then rotate it clockwise to the position of the corresponding locking arrow; (note that the body is equipped with a micro switch, so the coffee bean tank must be installed in place, otherwise the appliance will not work)
3. Put an appropriate amount of coffee beans into the coffee bean tank, and it should be noted that the maximum amount of coffee beans should not exceed 200 grams.
4. Close the coffee bean tank lid.
5. Put the grounded coffee container (the lid should be open in place) on the main body, make sure the grounded coffee container is aligned with the coffee grounds outlet.

6. Rotate the coffee bean tank to select the coffee granule thickness you need, turn left, the coffee granule thickness increases (0-30), turn right, the coffee granule thickness will decrease (30-0).
7. The amount of coffee is determined by the grinding time, therefore, you can refer to "Table 1" to select the grinding time you need by adjusting the knob from 2-14. After selection, the corresponding indicator light will flash, then press the knob to start working. When it starts working the indicator light will always be on.

Table No. 1

Indicator lights (from left to right)	The first indicator light is always on 2	The second indicator light is always on 4	The third indicator light is always on 6
Grinding Time	7 seconds	14 seconds	21 seconds
The fourth indicator light is always on 8	The fifth indicator light is always on 10	The sixth indicator light is always on 12	The seventh indicator light is always on 14
27 seconds	35 seconds	40 seconds	50 seconds

GRINDING TIPS

1. **Coarse ground coffee powder** is generally used for filter coffee pots; **medium ground coffee powder** is generally suitable for drip coffee pots and steam pressure coffee machines; and **fine ground coffee powder** is generally suitable for pressure coffee machines with pumps.
2. If you want to brew the freshest and most delicious coffee, you can use enough grinding volume each time, and clean the grinding chamber, blade and grinding wheel after each grinding with the help of small brush.
3. This grinder can only grind dry and brittle foods, not wet, too hard or sticky foods, and cannot be used to grind peanuts or grains, nor crushed ice.
4. If you want to grind pepper, you need to buy another grinder, because fresh pepper has a strong flavor, otherwise, it may affect the taste of ground coffee.

MAINTENANCE

1. In order to maintain the aroma of the coffee and avoid the deterioration of the ground coffee, empty the ground coffee container after each use.
2. Always unplug the power outlet before cleaning.
3. Never insert the grinder, power cord or plug into the water.
4. Do not use strong cleaners or abrasive pads to clean settings.
5. To disassemble the upper grinding wheel, hold the upper grinding wheel handle and turn it counterclockwise, then lift it straight out and clean the upper grinding wheel with the cleaning brush.

TECHNICAL SPECIFICATION

Product	KENT Coffee Bean Grinder
Product Code	116164
Net Weight	1.5 kg
Input Power Supply	Single Phase 220-240 V AC, 50 Hz.
Power Consumption	150 W
Dimensions	184 (L) x 117 (W) x 286 (H) mm